



TWO STROKE

Specifications

Type		Two Stroke
Maximum output	kW (PS)	22.1 (30)
Maximum operating range	r/min	5150-5850
Fuel consumption at W.O.T	L/Hr (gal/Hr)	13 (3.43)
Number of cylinder		2
Bore x Stroke	mm (in)	68x59 (2.68x2.32)
Displacement	mL (Cu in)	429 (26.2)
Engine lubrication system		Premixed Fuel
Starting system		Manual or Electric starter
Spark plug		NGK B7HS-10 or BR7HS-10
Ignition timing	degree	ATDC4°-BTDC25°
Alternator output		12V 80W 7A
Engine oil		Genuine recommended 2stroke engine oil (TC-W3)
Volume of engine oil tank	L (gal)	-
Fuel tank capacity	L (gal)	25 (6.60)
Speed control		Twist grip type or Remote control
Gear reduction ratio		1.92 (12:23)

Specifications and descriptions are subject to change without notice.

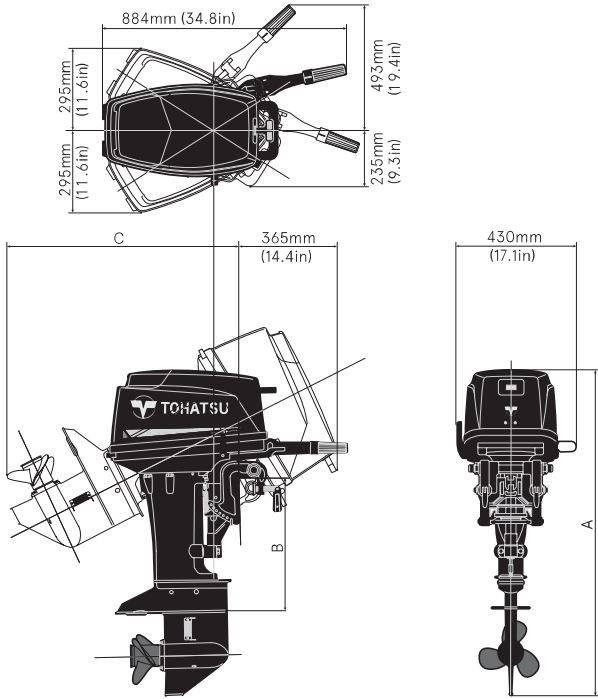
CONTENTS

FOUR STROKE

TWO STROKE

ACCESSORIES

Dimensions



Dry Weight (kg/lbs)

Model	MF	EF	EP
Transom S:	51.0 (112)	55.0 (121)	54.0 (119)
Transom L:	52.5 (116)	56.5 (124)	55.5 (122)

Dimensions (mm/in)

Model	A	B	C
Transom S:	1124 (44.3)	435 (17.1)	758 (29.8)
Transom L:	1251 (49.3)	562 (22.1)	858 (33.8)

Standard & Optional Equipments

Type	S/L	EFS/EFL	EPS/L
Electric Starter	○	●	●
Manual Recoil Starter	●	●	●
Engine Stop Switch Lanyard	●	●	●
Alternator	●	●	●
Rectifier	○	●	●
Oil Pre-Mixing	●	●	●
Transom	15/20	15/20	15/20
Propeller	●	●	●
Analog Tachometer	-	-	○
Analog Trim Meter	-	-	-
Remote Control Box	-	-	●
25L (6.6 Gal) Plastic Fuel Tank	●	●	●
Tool Kit	●	●	●
Emergency Starter Rope	●	●	●
Spare Spark Plug	●	●	●
Owners Manual	●	●	●

● Standard ○ Optional



CONTENTS

FOUR STROKE

TWO STROKE

ACCESSORIES